

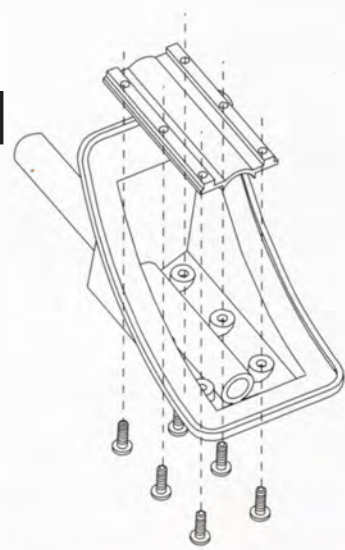
ROSCO PRODUCTS

Tiger Grip™

BREAKAWAY ARM ASSEMBLIES

Features and Benefits

- Patented internal aluminum clamping system for increased stability.
- Housing is molded from Space Age engineering-grade resins for superior performance and durability.
- Bases available for every type of mounting surface.
- Aluminum/resin clamping combination allows breakaway swivelling without typical metal to metal seizing.
- Aluminum/resin combination maintains optimum clamping friction.



PART NO.	DESCRIPTION
----------	-------------

19A	Type "D", aluminum base with 7" radius for curved surfaces
19FR	Freightliner driver side base also used on pre 1995 Ford Type "C"
19FL	Freightliner passenger side base also used on pre 1995 Ford Type "C"
19FL95	Ford, Type "C" driver side base, 1996 and newer
19FR95	Ford, Type "C" passenger side base, 1996 and newer
19G	Universal aluminum base, for flat surfaces, GM Type "A"
19ICL	IC Corp. CE Type "C", 2004 & newer driver side base
19ICR	IC Corp. CE Type "C", 2004 & newer passenger side base
19INT	International base, used on pre-1990 International Type "C"
19NAV	Navistar base, used on 1991 and newer International Type "C"
19U	Universal base for flat surfaces.
19U/KIT	Well Nut™ kit, 6 each well nuts and screws
2000BBL	Blue Bird Type "C", Vision, driver side base
2000BBR	Blue Bird Type "C", Vision, passenger side base



No. 19 U



No. 19 G



No. 19 A



No. 19 NAV



No. 19 INT



No. 19 FL



No. 19 FL 95



No. 19 ICL



2000 BBL