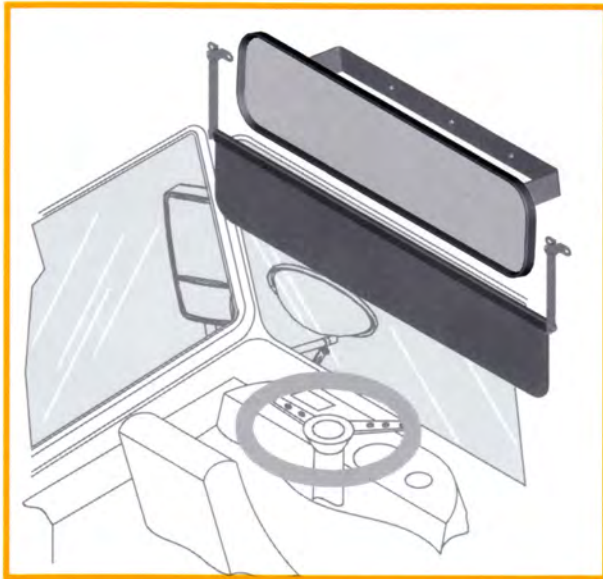


ROSCO PRODUCTS

Interior Mirrors

- ALL MODELS MANUFACTURED WITH SAFETY GLASS.
- PADDED EDGES MEET FEDERAL AND STATE REQUIREMENTS FOR SAFETY.
- AVAILABLE WITH NON-GLARE GLASS.
- COMES COMPLETE WITH MOUNTING BRACKETS.
- POWDER COATED FOR DURABILITY.
- AVAILABLE IN VARIOUS SIZES AND MOUNTING CONFIGURATIONS.



Standard sunvisor and interior mirror configuration.



630



1030



530

PART NO.	DESCRIPTION
530	6"x16" interior mirror. Standard safety glass.
530NG	6"x16" interior mirror. Non-glare safety glass.
630	6"x30" interior mirror. Standard safety glass.
630NG	6"x30" interior mirror. Non-glare safety glass.
1030	10"x30" interior mirror. 3/16" thick standard safety glass.
1030NG	10"x30" interior mirror. 3/16" thick non-glare safety glass.
1030BB	10"x30" interior mirror. Blue Bird mounting brackets. 3/16" thick standard safety glass.