

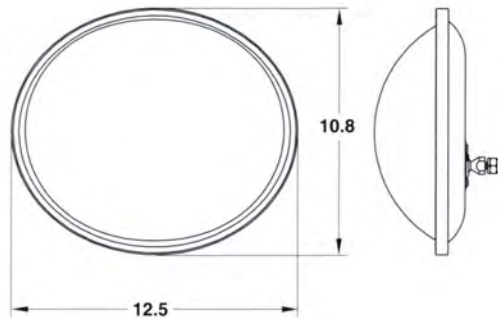
# ROSCO PRODUCTS

## Hawk-Eye™



### Features and Advantages

- Complete field of vision coverage for FMVSS-111 compliance.
- Full oval shape provides larger viewing area for driver.
- Universally adjustable ball swivel allows for easy adjustment.
- Aerodynamic profile provides smoother air-flow, which reduces vibration.
- Contoured housing provides stability.
- Full oval gives driver perspective of vehicle within viewing area.
- Constant mirror curvature provides uniform images along the major and minor axes.
- Available in tunnel mount, for interchangeability with pre-existing arms.
- Economical pricing.



### PART NO. DESCRIPTION

2360	Hawk-Eye® mirror head, with tunnel mount
2360T	Hawk-Eye® mirror head, with tunnel mount, Partial Tint
2360H	Hawk-Eye® mirror head, with tunnel mount, Heated
2360TH	Hawk-Eye® mirror head, with tunnel mount, Heated, Partial Tint
2360FT	Hawk-Eye® mirror head, with tunnel mount, Full Tint
2360FTH	Hawk-Eye® mirror head, with tunnel mount, Heated, Full Tint
2365	Hawk-Eye® mirror head, with ball stud mount
2365H	Hawk-Eye® mirror head, with ball stud mount, Heated
2365T	Hawk-Eye® mirror head, with ball stud mount, Partial Tint
2365TH	Hawk-Eye® mirror head, with ball stud mount, Heated, Partial Tint
2365FT	Hawk-Eye® mirror head, with ball stud mount, Full Tint
2365FTH	Hawk-Eye® mirror head, with ball stud mount, Heated, Full Tint
2365IH	Hawk-Eye® mirror head, with ball stud mount, Heated, with internal connector
2365ITH	Hawk-Eye® mirror head, with ball stud mount, Heated, with internal connector, Partial Tint
2365IFTH	Hawk-Eye® mirror head, with ball stud mount, Heated, with internal connector, Full Tint