

ROSCO PRODUCTS

EuroStyle® 815 SERIES

Features and Benefits

- Certified by OEM's to meet FMVSS-111 requirements.
- Same model can be mounted as upright, overhang or two point mount.
- Reduces inventory of replacement parts.
- Aerodynamic, wind tunnel tested profile has lower drag coefficient for increased fuel economy.
- Used on types "A", "C" & "D" buses.
- Available heated.
- Available motorized or hand adjustable.
- Each motorized mirror lens is four way adjustable.
- Hidden wire and connectors.



Model 815 with
Stainless Steel Arm



Model 815U
Shown with E-Z Bracket®
combination assembly

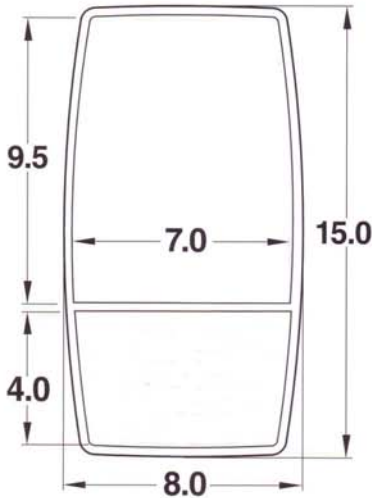
ACCUSTYLE® 815 series 8"x15" DUAL MIRRORS

PART NO.	DESCRIPTION
815	8" x 15" dual mirror, two point mount, motorized, 12 volt
815H	Heated, 8" x 15" dual mirror, two point mount, motorized, 12 volt
8150G	8" x 15" dual mirror, overhang mount, motorized, 12 volt
8150GH	Heated, 8" x 15" dual mirror, overhang mount, motorized, 12 volt
815SL/815SR	8"x15" dual mirror, upright mount, motorized 12 volt with Left or Right signal LEDs
815SLOG/815ROG	8"x15" dual mirror, overhang mount, motorized 12 volt with Left or Right signal LEDs
815U	8" x 15" dual mirror, upright mount, motorized, 12 volt
815UH	Heated, 8" x 15" dual mirror, upright mount, motorized, 12 volt
M815	8" x 15" dual mirror, two point mount, hand adjustable
M815H	Heated, 8" x 15" dual mirror, two point mount, hand adjustable
M8150G	8" x 15" dual mirror, overhang mount, hand adjustable
M8150GH	Heated, 8" x 15" dual mirror, overhang mount, hand adjustable
M815U	8" x 15" dual mirror, upright mount, hand adjustable
M815UH	Heated, 8" x 15" dual mirror, upright mount, hand adjustable

ROSCO PRODUCTS

EuroStyle®

815 SERIES



REPLACEMENT PARTS

PART NO.	DESCRIPTION
815/1	7" x 9.5" flat mirror glass
815H/1	7" x 9.5" flat mirror glass, heated
815D/1	7" x 4" convex mirror glass
815DH/1	7" x 4" convex mirror glass, heated
815SL/1	7" x 9.5" flat mirror glass with Left signal LEDs
815SR/1	7" x 9.5" flat mirror glass with Right signal LEDs
815/4	7" x 9.5" flat mirror carrier and motor assembly
815D/4	7" x 4" convex mirror carrier and motor assembly
M815/4	7" x 9.5" flat mirror carrier and hand swivel assembly
M815D/4	7" x 4" convex mirror carrier and hand swivel assembly
CAP1042	Rear access cover for 815 mirror head, two point moun
CAP1056	Rear access cover for 815 mirror head, overhang or upright mt
CAP1034	Grommet, rubber, for 1" tube, no harness hole
CAP1058	Grommet, rubber, for 3/4" tube, no harness hole
CAP1044	Grommet, rubber, for 1" tube, harness hole
CAP1045	Grommet, rubber, for 3/4" tube, harness hole
815/SHELL	815 two point mount housing (includes internal spine/clamps)
815OGU/SHELL	815 overhang/upright housing (includes internal spine/clamps)
815SL/1	7" x 9.5" flat mirror glass with Left signal LEDs
815SR/1	7" x 9.5" flat mirror glass with Right signal LEDs

