

ROSCO PRODUCTS

EuroStyle® 717 SERIES

Features and Benefits

- Certified by OEMs to meet FMVSS 111 requirements.
- Oversized 8" x 17" housing provides additional mirror surface.
- Available in upright and overhang configurations.
- Used as passenger side mirror on Type "C" and "D" buses.
- Available heated.
- Available motorized or hand adjustable.
- Hidden wiring and connectors.
- 4-way adjustable motors.



Model 7170G
Shown with Spring-Break®
mounting arm

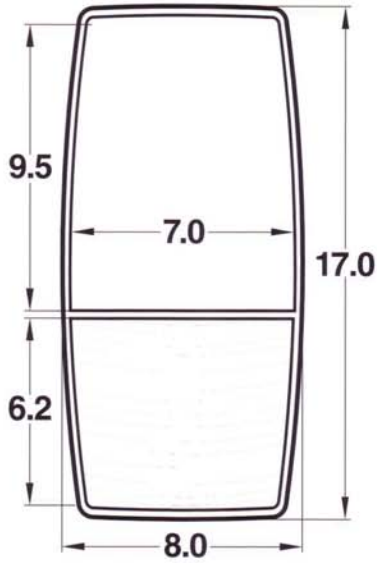
EUROSTYLE® 717 SERIES 8"X17" DUAL MIRRORS

| PART NO. | DESCRIPTION |
|-----------------|---|
| 7170G | 8" x 17" dual mirror, overhang mount, 12 volt motorized |
| 7170GH | Heated, 8" x 17" dual mirror, overhang mount, 12 volt motorized |
| 71710G | 8" x 17" dual mirror, overhang mount, 12 volt motorized, wired for International switch |
| 71710GH | Heated, 8" x 17" dual mirror, overhang mount, 12 volt motorized, wired for International switch |
| 7171U | 8" x 17" dual mirror, upright mount, 12 volt motorized |
| 7171UH | Heated, 8" x 17" dual mirror, upright mount, 12 volt motorized |
| 7171IU | 8" x 17" dual mirror, upright mount, 12 volt motorized, wired for International switch |
| 7171IUH | Heated, 8" x 17" dual mirror, upright mount, 12 volt motorized, wired for International switch |
| 717SLU/717SRU | 8" x 17" dual mirror, upright mount, motorized 12 volt with Left or Right signal LEDs |
| 717SLOG/717SROG | 8" x 17" dual mirror, overhang mount, motorized 12 volt with Left or Right signal LEDs |
| M7170G | 8" x 17" dual mirror, overhang mount, hand adjustable |
| M7170GH | Heated, 8" x 17" dual mirror, overhang mount, hand adjustable |
| M7171U | 8" x 17" dual mirror, upright mount, hand adjustable |
| M7171UH | Heated, 8" x 17" dual mirror, upright mount, hand adjustable |

ROSCO PRODUCTS

EuroStyle®

717 SERIES



REPLACEMENT PARTS

| PART NO. | DESCRIPTION |
|-----------|---|
| 717/1 | 7" x 9.5" flat mirror glass |
| 717H/1 | 7" x 9.5" flat mirror glass, heated |
| 717D/1 | 7" x 6" convex mirror glass |
| 717DH/1 | 7" x 6" convex mirror glass, heated |
| 717/4 | 7" x 9.5" flat mirror carrier and motor assembly |
| 717D/4 | 7" x 6" convex mirror carrier and motor assembly |
| 717SL/1 | 7" x 9.5" flat mirror glass with Left signal LEDs |
| 717SR/1 | 7" x 9.5" flat mirror glass with Right signal LEDs |
| M717/4 | 7" x 9.5" flat mirror carrier and hand swivel assembly |
| M717D/4 | 7" x 6" convex mirror carrier and hand swivel assembly |
| CAP | Connector access panel available with various company logos |
| CAP1001 | Rubber grommet for 715 & 717 series mirrors |
| 717/SHELL | Shell for 717 mirrors |

