



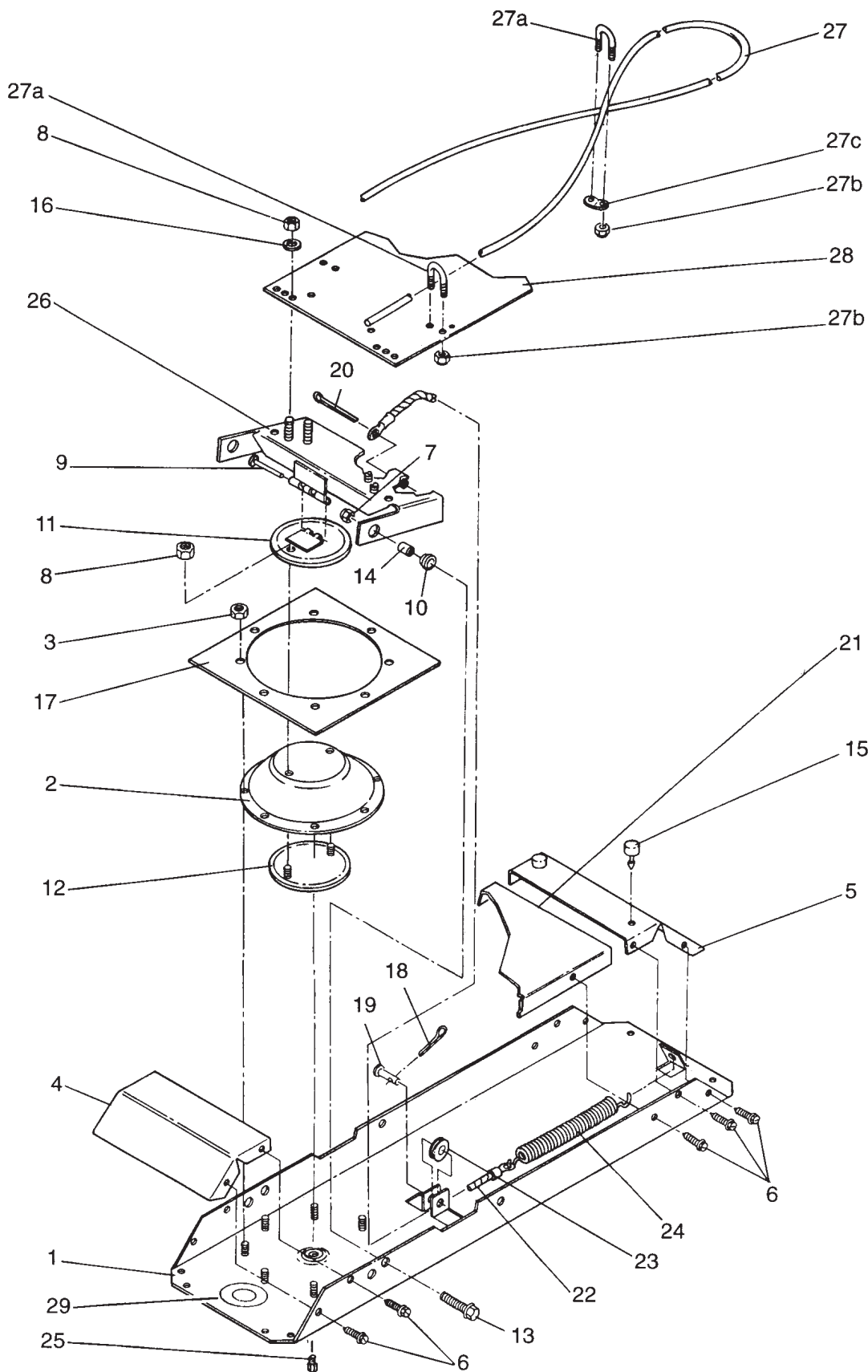
CROSSING ARMS

AIR CROSSING CONTROL ARM ASSEMBLIES

Number	Description
028100	Crossing Arm, Air (#28110, #28150)
028103	Crossing Arm, Air (#28110, #58151)
028110	Base Assembly, Air
028150	Blade Assembly, Air (also see #58150)
028154	Blade Assembly, Figure-8, Air, Freightliner
028315	KIT #28110, #28154, 008080, Freightliner
028500	Assy, Universal Crossing Arm, Yellow Polyrod w/Brkt
068150	Assy, Universal Yellow Poly Rod
068152	Assy, Polyrod with Bracket, Air, Freightliner

CROSSING ARMS

SAFETY GUARD CROSSING CONTROL ARMS AIR ASSEMBLY





CROSSING ARMS

AIR CROSSING CONTROL ARMS AIR

ITEM NO.	SMC P/N	QTY.	DESCRIPTION
	028110		Air Stop Arm Base Assembly
1	000101	1	Base with Studs
2	000106	1	Diaphragm
3	004048	8	Hex Nut #10-32
4	000124	1	Front End Cover
5	000125	1	Rear End Cover
6	000137S	12	#10 x 1/2" SS Serrated
7	000142	2	1/4-20 Nylon Insert Locknut
8	000143	6	Hex Nut 1/4-20
9	000144	1	Hinge Pin
10	000166	2	Outer Bearing
11	000170	1	Outer Diaphragm Plate
12	000171	1	Inner Diaphragm Plate
13	000174	2	Bolt, 1/4-20 x 3/4" RHMS
14	000176	2	Inner Bearing
15	000177	2	Rubber Bumper
16	000178	4	Inside Lockwasher 1/4"
17	002102	1	Diaphragm Retaining Ring
18	002112	1	Cotter Pin, Zinc 1/16" x 1 1/2"
19	002114	1	Clevis Pin, 1/4" x 3/4"
20	002145	1	Cotter Pin, 1/8" x 2 1/3"
21	002195	1	Air Pan
22	002196	1	Return Cable
23	002197	1	Nylon Pulley
24	002198	1	Air Return Spring
25	008686	1	Restrictor
26	002167	1	Hinge Plate Bracket
	058150		Univ. Crossing Arm Blade Assy
27	008003	1	12-ft. Aluminium Rod (inc.27a,b,&c)
27a	008006	2	5/16" U-Bolt
27b	008009	4	Locknut 10-24
27c	008061	1	U-Bolt Retainer
28	058155	1	Universal Crossing Plate
29	003027	1	Grommet