

# SEAT PRODUCTS - C.E. White Co.



## School Bus Seats and Barriers for Original Equipment and Replacement

**the  
ultimate  
choice**  
transit seating by  
**white**

A complete line of FMVSS certified seats and barriers offered in eight widths with both seats and barriers available in standard 28-inch heights.

Barrier backs are designed with a deep recess in the knee impact area, a feature which provides significant additional seating without sacrificing comfort or safety.

All C.E. White school bus seats are available in a variety of wall mounts, two frame designs and are certified for seat belt installations. Barriers are also available with a variety of wall mounts.

Holly Green and GT Brown Vinyl upholstery are standard. Tan, Fire-Block Vinyl which complies with the Boston Bag Test is also available.





# SEAT PRODUCTS - C.E. White Co.

The C.E. White Co.  
**Original Equipment and Replacement**  
School Bus Passenger Seats and Barriers



## Distinctive Features and Specifications

**Size:** 18, 26, 28, 30, 34, 36, 39 and 45 inches. Standard height is 28-inch back.

**Frame and Legs:** Precision, jig-welded, one-inch tubular high carbon steel, acid primed for maximum enamel adhesion. Certified for seat belt installation.

**Mountings:** Both foot pads and wall mountings are die-formed, high carbon steel.

**Seats:** Prime polyurethane foam with 2.7 density and minimum 60 I.L.D.

**Backs:** A combination of rebonded 8 lb. density and prime polyurethane foam.

**Options:** Seats are available in two frame designs. Wall mounts for both barriers and seats are available with a variety of left and right wall mount options. Consult the factory for details.

**Colors and Materials:** Holly Green Vinyl and GT Brown are standard. Tan, Fire-Block Vinyl which complies with the Boston Bag Test is available as an option.

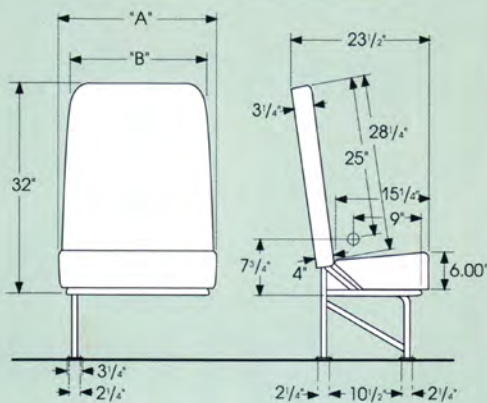
**Testing:** All C.E. White seats are subjected to a complete test series in our own testing facilities and are certified to meet or exceed all applicable Federal and State safety standards.

C.E. White barriers are designed with a deep recess in the knee impact area. This feature provides for additional seat installation without sacrificing passenger comfort and safety.

Cushioning material and coverings in these fine seats and barriers are certified to meet or exceed all known school bus safety standards including FMVSS-222 and FMVSS-302. Additional certification includes FMVSS-210 for Type 1 seat belt installation.

Net Weights

	18"	26"	28"	30"	34"	36"	39"	45"
Seats	26	45	39	42	46	50	52	62
Barriers	13	19	20	22	24	26	28	32



18"	26"	28"	30"	34"	36"	39"	45"	
18.25"	26.25"	28.25"	30.25"	33.75"	36.25"	39.25"	45.25"	"A"
11.50"	19.87"	21.62"	23.50"	27.75"	29.50"	32.25"	38.62"	"B"

Continuous product improvement is a C.E. White Co. policy. Therefore, prices and specifications are subject to change without prior notice. Due to variation in the printing process, product colors may vary slightly from photographs shown.