

# SEAT PRODUCTS - C.E. White Co.



## INTEGRATED CHILD RESTRAINT SCHOOL BUS SEAT

MODELS CR26, CR30, CR37 AND CR39



Precious cargo. That's what children are. And it's important for parents to be confident that from the time their children get in the bus to the time they arrive at school, they're in safe seats.

Head Start/Kindergarten age children ( 20-60 lbs. ) are too small to sit in a standard school bus seat without added protection. Using a regular aftermarket car restraint seat is just not the answer. That's why C.E. White has created the Integrated Child Restraint Seat to increase school bus safety.

### **CARRY INFANTS SAFELY**

A rear facing infant car seat can easily buckle into the optional C.E. White FMVSS 225 "LATCH" system to safely carry an infant up to 18 months.



# SEAT PRODUCTS - C.E. White Co.

## INTEGRATED CHILD RESTRAINT SCHOOL BUS SEAT FEATURES AND SPECIFICATIONS

### MODELS CR26, CR30, CR37 AND CR39

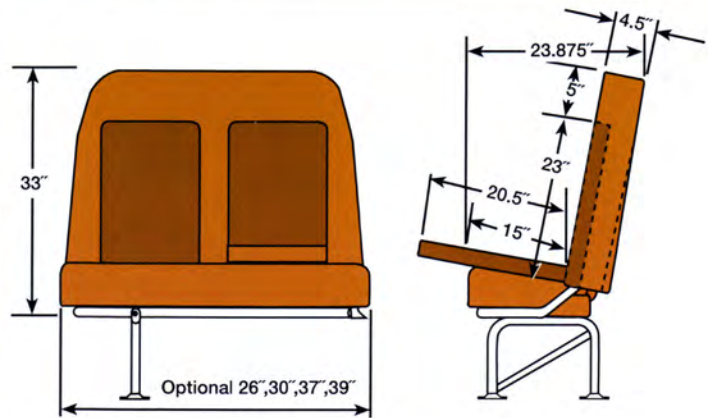


To make sure that children are as safe as possible, the Integrated Child Restraint Seat complies to all the following standards:

- |  |   |
|--|---|
| <ul style="list-style-type: none"> <li>• FMVSS 210</li> <li>• FMVSS 213</li> <li>• FMVSS 222</li> <li>• FMVSS 225</li> <li>• FMVSS 302             <ul style="list-style-type: none"> <li>• Fireblock Test</li> <li>• Boston Burn Bag Test</li> <li>• California Bulletin 117</li> </ul> </li> </ul> | <p>Also meets:</p> <ul style="list-style-type: none"> <li>• New York Head Injury Criteria</li> <li>• New York, Ohio 28" Back Requirement</li> </ul> |
|--|---|

The C.E. White Integrated Child Restraint Seat is the only school bus seat in existence that meets all these standards.

Along with the safety it provides, the Integrated Child Restraint Seat is convenient and easy to use. Since the seat is integrated, there's nothing to carry in or out the bus, or store when not in use.



**Size:** 26", 30" Single Seat; 37", 39" Double Seat.

**Weight:** CR26....53 lbs. CR30....56 lbs.  
CR37....74 lbs. CR39....76 lbs.

**Frame and Legs:** Seat will meet all OEM standard mounting heights.

**Mountings:** Either two (2) legs or single with wall mount. (Advise wall mount height.)

**Materials:** All major school bus standard vinyls in both FMVSS 302 and fireblock materials.

**Testing:** All C.E. White seats are subjected to a complete test series in our own testing facilities, as well as independent labs, and are certified to meet or exceed all applicable Federal and State safety standards.

Continuous product improvement is a C.E. White policy. Therefore, prices and specifications are subject to change without prior notice. Due to variation in the printing process, product colors may vary slightly from photographs shown.

Patent Number 5,224,756